

Linear Steamhead

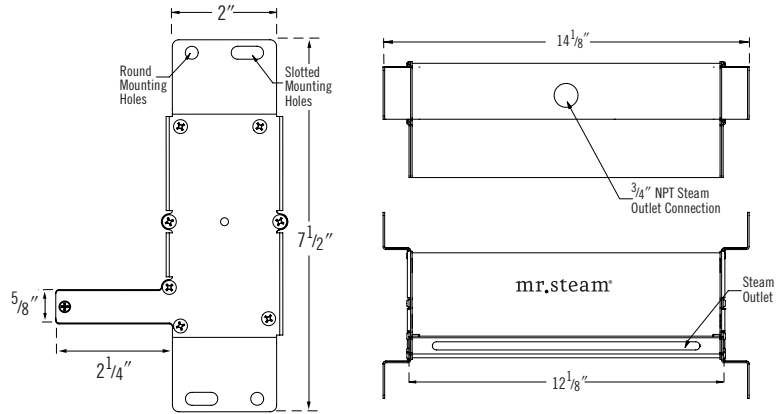
- Quiet, even distribution of steam
- No field assembly required
- No moving parts
- Minimal profile

Linear Steamhead Installation

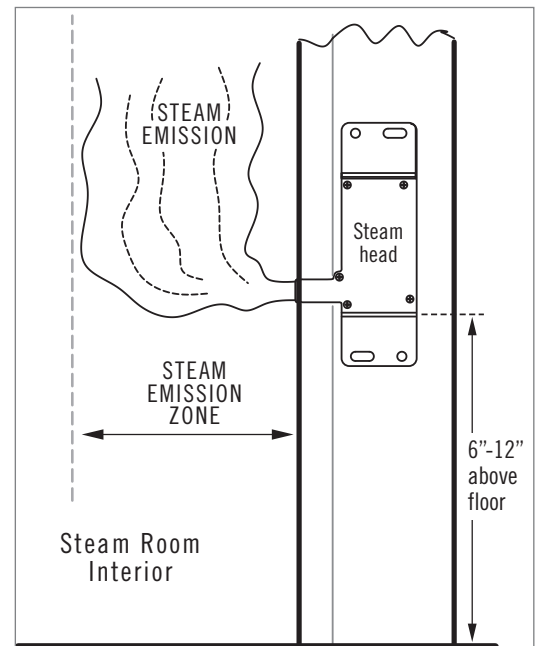
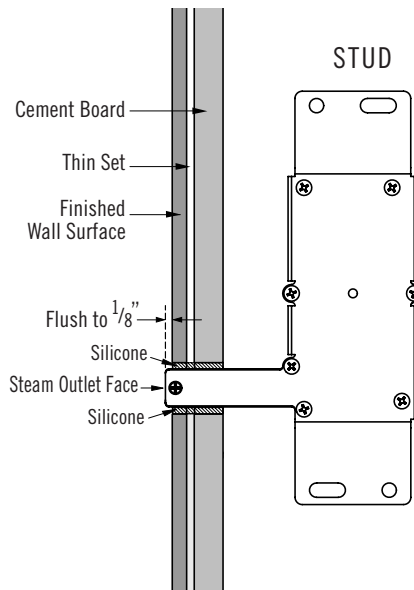
(3/4" NPT)

IMPORTANT: Do not disassemble steamhead. MrSteam's steamhead is shipped fully assembled and requires no additional assembly.

Locate steamhead 6-12 inches above floor, except for tub/shower enclosures; install 6 inches above tub top edge.



- CAUTIONS**
- Because the steamhead and direct steam emissions are very hot, locate the steamhead where incidental contact by bather with the steamhead or direct steam emission cannot occur.
 - Linear Steam Head model 104216 is suitable for MrSteam generator models MS90-400, MSSUPER1-3 and CT6-CT15.
 - Two 104216 linear steamheads must be used for models MX4, 5 & 6.
 - Using model 104216 for any steam generator model larger than the MSSUPER3, or for any non MrSteam brand generators may result in an improper installation or hazardous condition.
 - For residential and Day Spa use only.
 - Install in a horizontal orientation only. Installation in a vertical orientation may concentrate the steam and result in excessive temperatures.



Generator Model	Steam Emission Zone
MS90 – MS400, CT6, CT9	18"
SUPER 1 – SUPER3; CT12, CT15	24"
MX4 -MX6 (two required)	24"

FOR ILLUSTRATIVE PURPOSES ONLY. IMPORTANT NOTE: FOR SAFE AND TROUBLE FREE INSTALLATION visit mrsteam.com before installation to download the Installation, Operation and Maintenance Manual or refer to the manual provided with the unit.

MODEL	PROJECT INFORMATION	
104216 For MS90 - MSSUPER3 and CT6-CT15 Two required for MX4, MX5 and MX6.	Location:	Contractor:
	Architect:	Submitted By:
	Engineer:	Date:
Notes:		